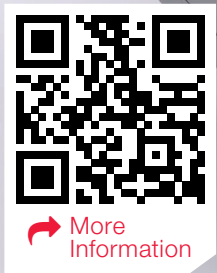




EC1



DERINDER

Hard and
Semi-Hard Cheeses

Article number
#017492

BENEFITS



The cheese wheel is held on the plate by a vacuum pump for easy handling



Equipment on adjustable mounting base; can be moved by using a pallet jack



One single tool for rind removal of the flat sides and the heel of the cheese wheel



Variable speed plate

TECHNICAL DATA

TREATED PRODUCT

STANDARD

- Cheese wheel diamete 600 – 750 mm
- Cheese wheel thickness 70 – 140 mm

OPTION (WITH SUITABLE ACCESSORIES)

- Cheese wheel diamete from 300 mm
- Cheese wheel thickness up to 230 mm

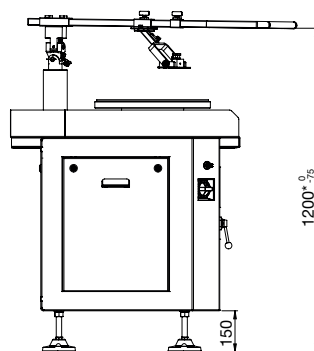
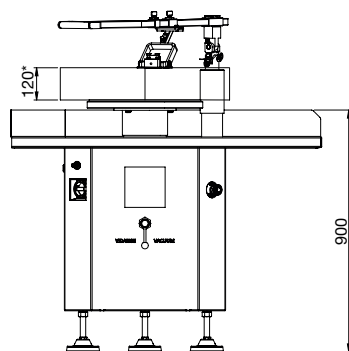
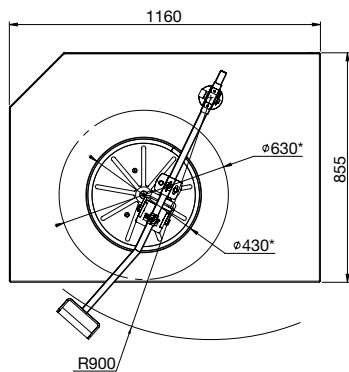
EQUIPMENT SPECIFICATIONS

- Cheese wheel pressure hold 0.6 bar
- Plate rotation speed 0 – 100 rpm

ELECTRICITY

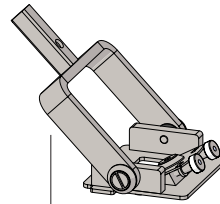
- Voltage 400 - 440 V
- Number of phases 3L + N + PE
- Frequency 50Hz
- Electrical output 1.5 kW
- Protection on supply 16A

Note: Specifications indicated above are for information purposes and can be tailored to the individual requirements of each client

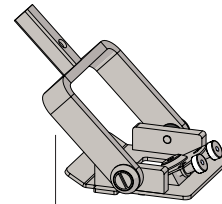


* Standard specifications.
Depending on selected options.

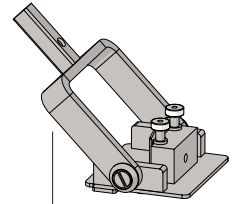
VARIOUS AVAILABLE TOOLS: SCRAPER OR ADJUSTABLE PEELER



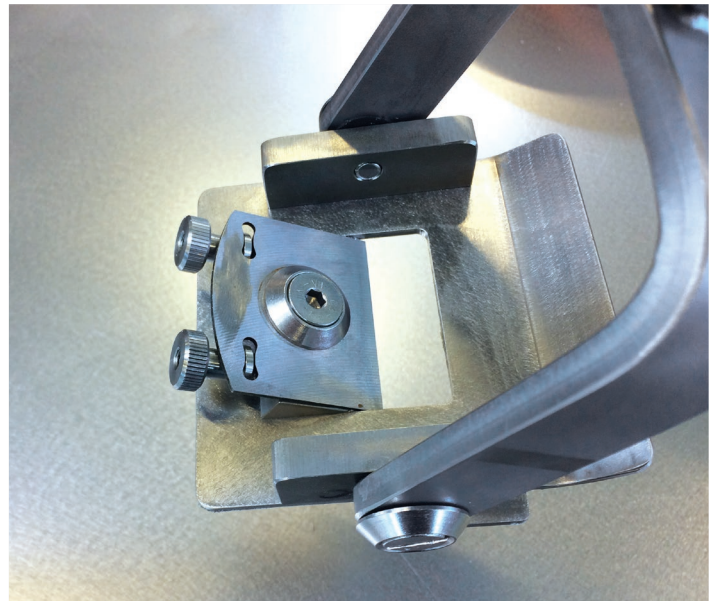
Derinder 30°



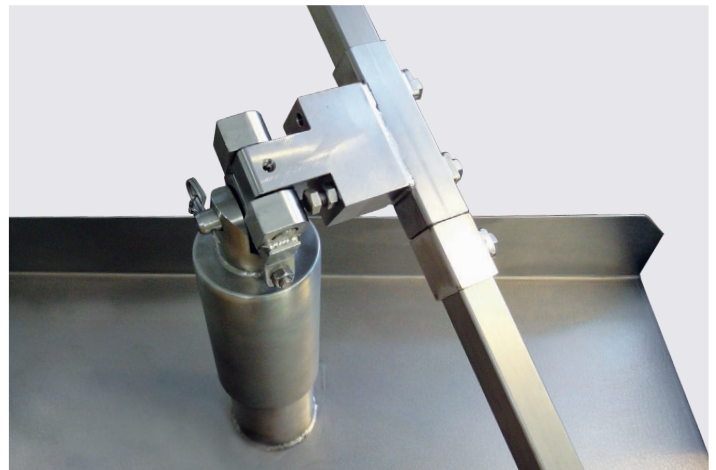
Derinder 30°
with runner



Scraper 90°



SOLID CONSTRUCTION EASY CLEANING



Versatility and flexibility at the service of quality

© 2011-2017 JNJ automation SA, all rights reserved. Products and specifications presented in this document are subject to change at any time without notice

FP_EC1_EN_V1_2017-05



JNJ automation SA
Impasse de la Maladaire 5
Case postale 208
CH-1680 Romont
Switzerland

Tél +41 26 656 9000
Fax +41 26 656 9001
Mail info@jnj.swiss
Web www.jnj.swiss